

Saturday Market Bag

by Jodie Danenberg



In Eugene, Oregon we have an outdoor market every Saturday from April until November. Not only is it a great time in the sun, but a great place to get organic veggies and food grown nearby. I made this with the outdoor market use in mind. It's a versatile bag that will stretch to the shape of its odd shaped contents perfectly. (When I say stretch, it really stretches!) It can either be made as a hand bag or with a shoulder strap. Make several as reusable grocery bags or one for the occasional weekend picnic.

Difficulty Level – Intermediate

Materials Needed

Brown Sheep Company Cotton Fleece (80% Cotton, 20% Wool) in desired color

Size US15/ 10mm needles

Size US10/ 6mm needles

Yarn needle

Yarn Substitutes – Peaches and Cream (100% cotton)

Sizes – Size of Body of Bag – 16 inches/40.5 cms x 13 inches 33 cms.

Gauge – not important

Stitch Instructions

Lace Background Stitch -

Row 1 – (RS) – k1 *yo, sl 1, k1, yo, pssso the knit st and the following yo; repeat from*

Row 2 – *P2, drop the yo from the proceeding row; rep from* end p1.

Row 3 – K2, rep from * of Row 1, end k1.

Row 4 – P3 * drop the yo from the proceeding row, P2; rep from*

Pattern

Body of Bag

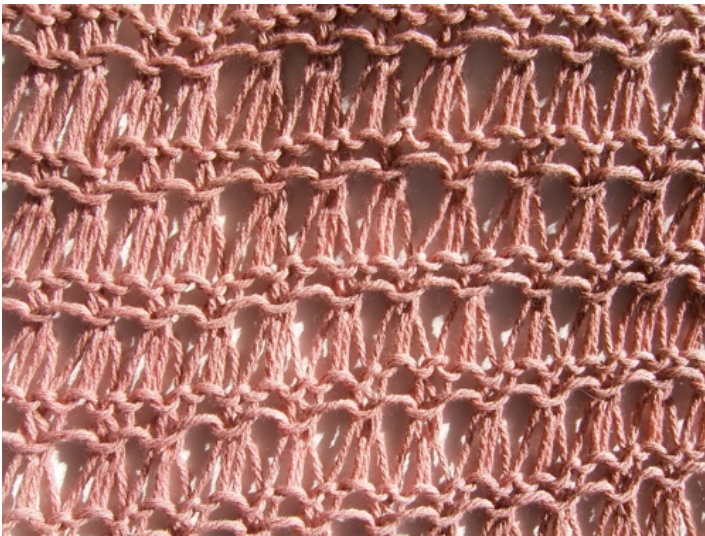
Make 2;

With larger needles CO 45

Repeat Rows 1-4 of Lace Background Stitch 6 times.

Cast Off

Place the two squares together so the cast off sides are both on the bottom. Sew together the sides and bottom.



Top

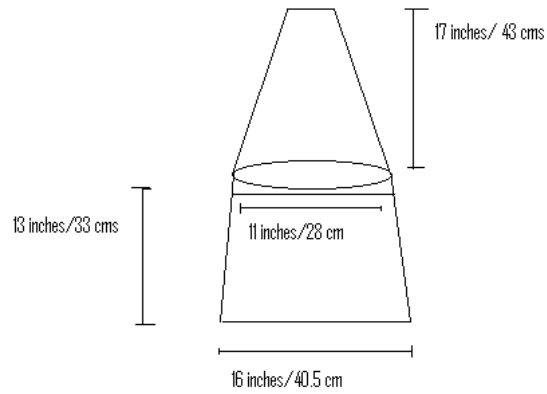
With smaller needles pick up 68 sts on the top of the body starting at the side seam.

Row 1 – K

Row 2 – P

Row 3&4 - Repeat rows 1 & 2

Row 5 – K 3, Cast Off 28, K6, Cast Off 28, K6.



Handle/Strap

Turn work and K6 working in garter st until strap is to desired length. Place stitches on a holder and cut off yarn leaving room for weaving ends.

Work remaining 6 stitches for the same number of rows as first strap in Garter Stitch.

Finishing

Make sure that straps are not twisted and Graft together using Kitchner Stitch. Weave in all ends.



About the Designer:

Jodie is a violinist and knitter who lives in Eugene, OR. She is always looking for excuses to knit things for her boyfriend, friends, family and cat. Read more of her adventures at Strings & Yarn (<http://www.violinjodie.com/blog>), or see her dying adventures at <http://www.stringsandyarn.etsy.com>.

Website – <http://www.violinjodie.com/blog>

E-mail – vlnjodie@hotmail.com